

Instructions

1.5" Electronic Viewfinder
WV-VF42
for WV-F500 and WV-F700 Series

Panasonic®

Before attempting to connect or operate this product, please read these instructions carefully.



PREFACE

Panasonic's 1.5" Electronic Viewfinder WV-VF42 is used for converting studio color camera to the ENG color camera.

FEATURES

1. 1.5" CRT screen (1-3/8" actual image size, measured diagonally).
2. Tiltable viewfinder for convenient viewing.
3. Level indicator (excessively bright area turns to zebra pattern) on the CRT screen for easy adjustment.
4. Tally light for informing the recording.
5. Adjustable eye cap for optimum diopter setting.
6. Contrast and Brightness controls.

NOTE: Refer to the Operating Instructions of WV-F500 or WV-F700 Series for details.



The lightning flash with arrowhead symbol, within an equilateral triangle, is intended to alert the user to the presence of uninsulated "dangerous voltage" within the product's enclosure that may be of sufficient magnitude to constitute a risk of electric shock to persons.



The exclamation point within an equilateral triangle is intended to alert the user to the presence of important operating and maintenance (servicing) instructions in the literature accompanying the appliance.

WARNING:
TO PREVENT FIRE OR SHOCK HAZARD, DO NOT EXPOSE THIS APPLIANCE TO RAIN OR MOISTURE.

For U.S.A.
Warning:
This equipment generates and uses radio frequency energy and if not installed and used properly, i.e., in strict accordance with the instruction manual, may cause harmful interference to radio communications. It has been tested and found to comply with the limits for a Class A computing device pursuant to Subpart J of Part 15 of FCC Rules, which are designed to provide reasonable protection against such interference when operated in a commercial environment.

For CANADA
This digital apparatus does not exceed the Class A limits for radio noise emissions from digital apparatus set out in the Radio Interference Regulations of the Canadian Department of Communications.

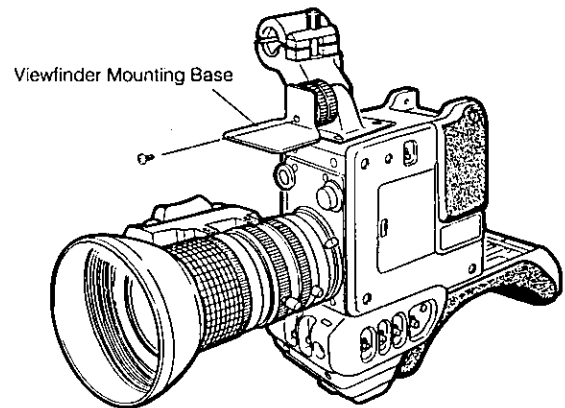
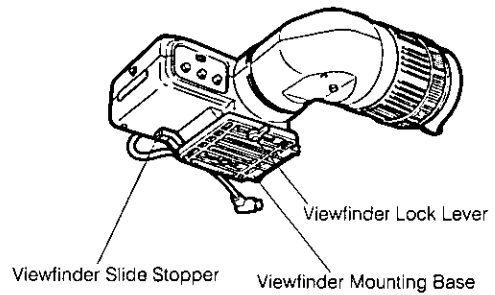
The serial number of this product may be found on the bottom of the unit.
You should note the serial number of this unit in the space provided and retain this book as a permanent record of your purchase to aid identification in the event of theft.

Model No. WV-VF42

Serial No. _____

INSTALLATION

1. Unlock the viewfinder Lock Lever on the Viewfinder.
2. While pulling the Viewfinder Slide Stopper, remove the Viewfinder Mounting Base by sliding it out from the Viewfinder.
3. Remove a screw from the Viewfinder Mounting Base.
4. Install the Viewfinder Mounting Base into the Viewfinder Mounting Plate by using the screw just removed.
5. Mount the Viewfinder on the Viewfinder Mounting Base by sliding it onto the base.
6. Securely lock the Viewfinder by the Viewfinder Lock Lever.
7. Connect the Viewfinder Cable to the Viewfinder Connector on the camera.



SPECIFICATIONS

Visual Size:	1-3/8" actual image size, measured diagonally
Power Source:	Supplied from camera head
Horizontal Resolution:	600 lines at center
Switches:	Tally ON/OFF
Controls:	Contrast, Brightness, Peaking
Display:	NTSC Composite
Indicator:	Level Indicator (zebra pattern), Character Display, Tally Light
Dimensions:	7-15/16"(W) x 3-1/8"(H) x 9-11/16"(D) [201(W) x 79(H) x 246(D) mm]
Weight:	1.5 lbs (0.67 kg)

Weight and dimensions shown are approximate.
Specifications are subject to change without notice.

Panasonic

Broadcast & Television Systems Company

Division of Matsushita Electric Corporation of America

Executive Office: One Panasonic Way, Secaucus, NJ 07094

For further information on our complete line of Broadcast and Television Systems products, please call 1-(800) 524-0864 for your nearest Panasonic regional sales office.

MATSUSHITA ELECTRIC OF CANADA LIMITED

5770 Ambler Drive, Mississauga, Ontario, Canada L4W 2T3 (905) 624-5010

PANASONIC SALES COMPANY

DIVISION OF MATSUSHITA ELECTRIC OF PUERTO RICO, INC.

San Gabriel Industrial Park, 65th Infantry, Ave. KM. 9.5 Carolina, Puerto Rico 00630 (809) 750-4300